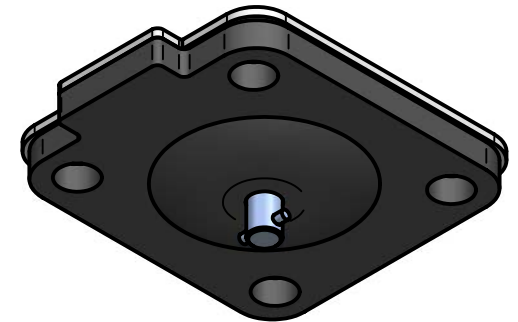
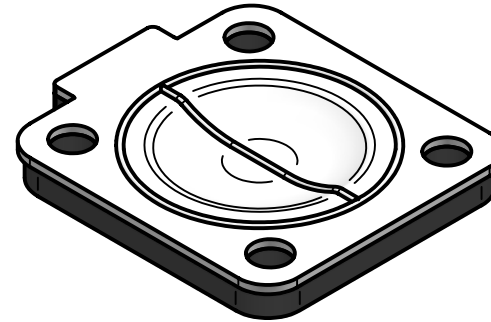



REVISION HISTORY

| REV | DESCRIPTION | DATE | APPROVED |
|-----|---|----------|----------|
| C | OEM PART changed from 0.500-P2 to DA015SR | 05/12/21 | JB |



Replacement Diaphragm for :-
 OEM PART = DA015SR
 USED ON 1/2" (DN15,) Diaphragm Valve

| | NAME | DATE |  DIAPHRAGM DIRECT | |
|--|------------|----------|---|------------------------------|
| DRAWN | M. MC KEON | 12/05/21 | DD05-STFM | |
| CHECKED | | | | |
| Material - EPDM BACKING TFM - DIAPHRAGM | | | TITLE | |
| Complies with CFR 177.2600 and Conforms to USP Class VI Biological Reactivity Tests Section #87 and #88 | | | SIZE A | FOOT PRINT DIMENSIONS |
| | | | FILE NAME: DD05-STFM.dft | |
| SCALE: 1 : 1 | | ECC:0605 | SHEET 1 OF 1 | |

Disclaimer - Diaphragm Direct® does not manufacture, represent, nor sell OEM valves or diaphragms manufactured by any other company. Diaphragm Direct® brand diaphragms are not sponsored by any other manufacturers. Any name, model, part number, brand, image, material or referral is for descriptive purposes only. Diaphragm Direct® brand replacement diaphragms are guaranteed to fit OEM equipment and meet or exceed OEM specifications. Diaphragm Direct® brand replacement diaphragms are covered by the standard Diaphragm Direct® limited product warranty.